

User Manual

Keypad Access Control

SA42



Read this manual carefully before install and use the device

1 Description

The device is a standalone access control and card reader which supports proximity card types. It builds-in STC microprocessor with strong anti-interference ability, high security and reliability which gives powerful function and convenient operation. It's widely used in high-end buildings, residential communities and other public places.

2 Features

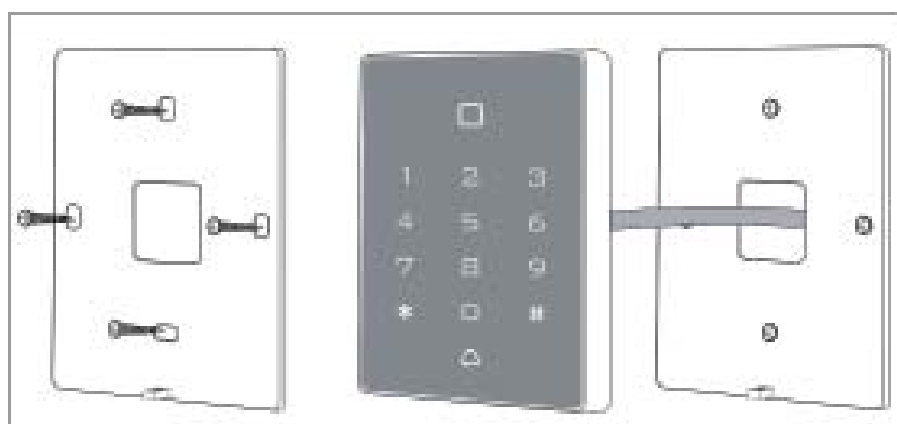
Ultra-low Power	Standby current is less than 30mA
Wiegand Interface	Wg26 or Wg34 input and output
Searching time	Less than 0.1s after reading card
Backlight Keypad	Operate easily at night
Doorbell interface	Support external wired doorbell
Access ways	Card, Pin code
Independent Codes	Use Pin codes without related card
Delete users by card no.	The lost card can be delete by keyboard

3 Specifications

Working Voltage	DC12V/2AMP
Card Reading Distance	2~5cm
Working Temperature	-10C~60C
Lock Output load	≤3A
Standby Current	≤30mA
Capacity	2000 Users
Working Humidity	10%~90%
Door Realy Time	0~90S (Adjustable)

4 Installation

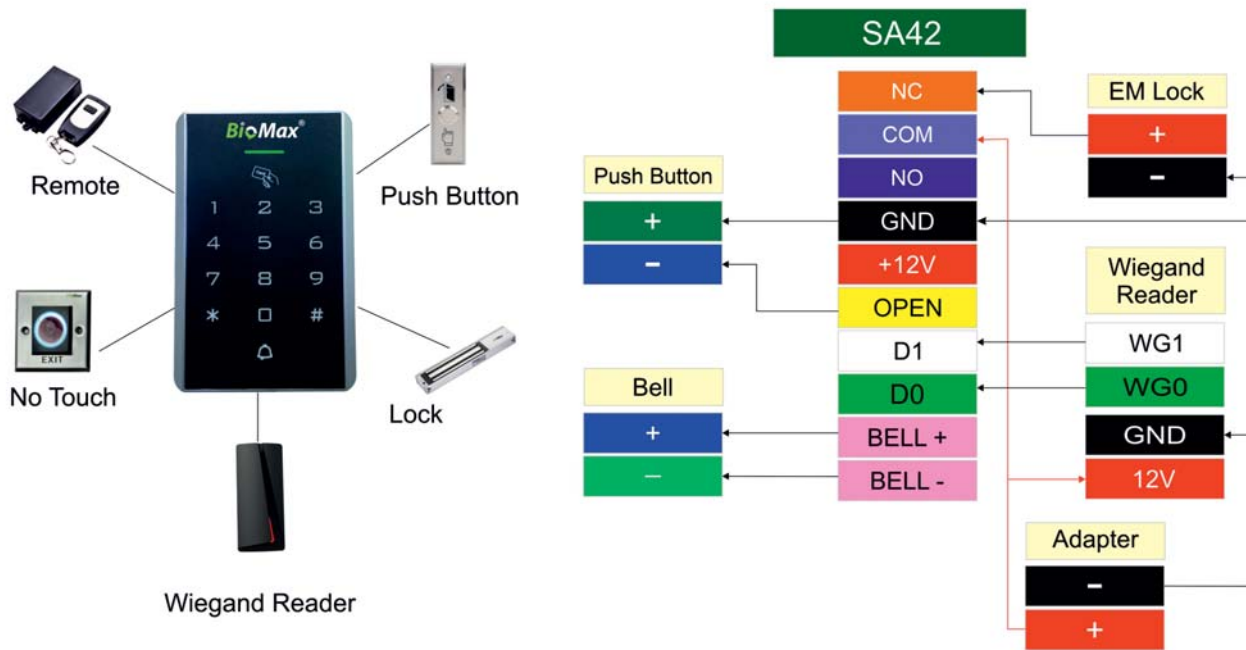
Drill hole according to the size of the device and fix back shell with the equipped screw. Thread the cable through the cable hole. connect the wires according to your required function, and wrap the unused wires to avoid short circuit. After connecting the wire, install the machine.



5 Wiring

Color	ID	Description
Green	D0	Wiegand Input (Wiegand Output in Card Reader Mode)
White	D1	Wiegand Input (Wiegand Output in Card Reader Mode)
Yellow	OPEN	Exit Button input terminal
Red	+12V	12V + DC Regulated Power Input
Black	GND	12V + DC Regulated Power Input
Blue	NO	Relay Normally-on terminal
Purple	COM	Relay Public terminal
Orange	NC	Relay Normally-off terminal
Pink	BELL_A	Doorbell button one terminal
Pink	BELL_B	Doorbell button to the other terminal

6 Connection Diagram



7 Sound & Light indication

Operator Status	LED Light Color	Buzzer
Standby	Red	
Keypad		Beep
Operation Successful	Green	Beep
Operation Failed	Red	Beep-Beep-Beep
Entering into Programming	Flash Red Slowly	Beep
Exit Programming	Red	Beep
Door Opening	Green	Beep

8 Advance Setting

Add Users	Notes
Change Master Code ★ Master Code # 0 New Master Code # New Master Code # ★	Default factory master code is 999999.
Add Card ★ Master Code # 1 Show all cards one by one # ★	Card Can be added continuously.
Add Id Number + Card ★ Master Code # 1 Id Number # Read Card # ★	Add user with specify id number, easily find and delete.
Add Pin Code ★ Master Code # 1 Id Number # 4 digits Pin code # # ★	ID Number is from 1-2000

Delete Users		Notes
Delete card	★ Master Code # 2 Show all cards one by one ##★	Card Can be deleted continuously.
Delete Id Number	★ Master Code # 2 Id Number #★	When the card is broken or lost, You can delete the users by ID Number.
Delete all Users	★ Master Code # 2 0000 #★	Delete ALL PIN code & card users except public PIN code.

Access ways		Notes
By Card	★ Master Code # 30 # ★	Only the card user cloud unlock the door, keypad is invalid
By Card + Pin Code	★ Master Code # 31 # ★	To enable this function, the user Pin code has to be changed.
By Card or Pin Code	★ Master Code # 32 # ★	Both card user and PIN user cloud unlock the door (factory default)
Bind a code to a specific card	★ Master Code # 6 Read Card 4 digits code #★	When using card+code to unlock the door

Relay Output Delay Time		Notes
Door relay strike time	★ Master Code # 4 0~99 #★	Door opening time range:0~99s default 5s.
Reader Mode	★ Master Code # 52 26/34 #★	WG26/34 input and output